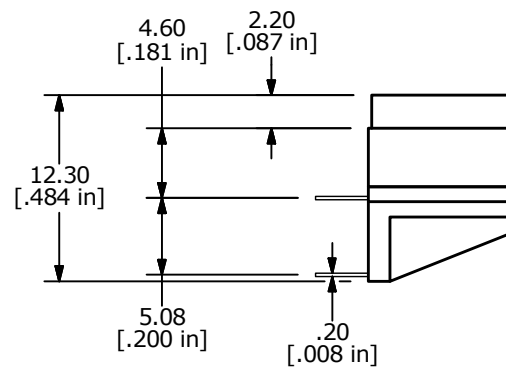
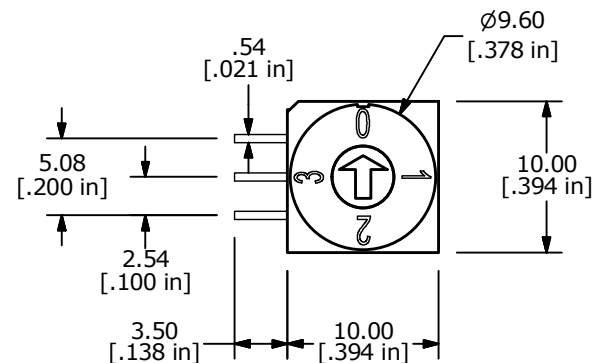
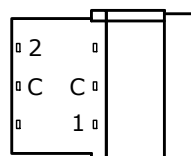


REAL CODE

	C	1	2
0	●	●	●
1	●	●	●
2	●	●	●
3	●	●	●



NOTES:

1. ALL DIMENSIONS IN MM [INCH]
2. GENERAL TOLERANCE: X.X ± 0.4
X.XX ± 0.25
3. TERMINAL NUMBERS FOR REFERENCE ONLY
4. OPERATING TORQUE: 700gf MAX.
- ▲ 5. CONTACT RATING: 150mA, 42V DC (SWITCHING)
200mA 42V DC (NON-SWITCHING)
6. CONTACT RESISTANCE: 80mΩ MAX.
7. INSULATION RESISTANCE: 100MΩ MIN @ 250VDC
8. DIELECTRIC STRENGTH: 250VAC 1 MIN.
9. LIFE: 10,000 STEPS
10. OPERATING TEMPERATURE: -40°C TO 85°C
- ▲ 11. PACKAGING: 50 PCS TUBE
12. IP RATING: IP67
13. ▲ DENOTES CRITICAL PARAMETER
14. 2011/65/EU (ROHS) COMPLIANT



A	22918	RELEASE TO PRODUCTION	6/29/17	MW
REV	PCR NO	DESCRIPTION	DATE	BY

TITLE RDTAR04R1T				
SCALE	DATE	DR	DWG	REV
2:1	6/29/2017	MW	U200043	A

THE INFORMATION CONTAINED IN THIS DOCUMENT IS PROPRIETARY TO E-SWITCH AND IS NOT TO BE COPIED OR TRANSFERRED